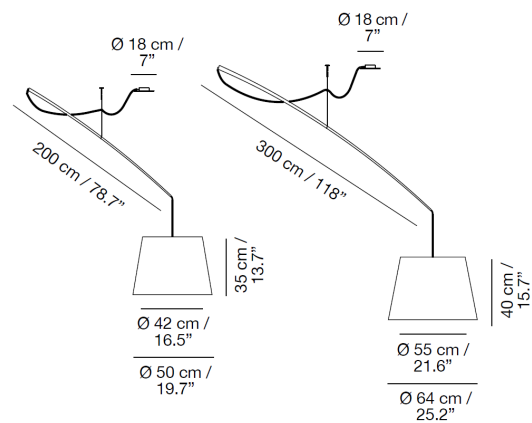


Robinson

Product Name

Robinson Pendant Light

Dimensions



Light Source

1x 150W Max E26 Medium Base Incandescent, or retrofit LED or CFL

Features

- Adjustable height and position pendant light
- Pendant rotates 360°
- Provides direct and diffused illumination
- Offered in two sizes
- Black carbon fiber structure
- White or beige cotton shade

Type: _____

Project: _____

Specifier: _____

Notes: _____

